

Manual Pan & Tilts

Pan & Tilt Units for Ultimate Precision Alignment

Description

The MINI PT family of manual pan and tilt heads has been designed for use in alignment critical applications and applications where it is necessary to accurately maintain the line of sight to moving objects.

The Mini PT features axis damping and fine adjust mechanisms in both pan and tilt for maximum versatility.

Axis damping allows the user much greater control when tracking moving objects and when initially aligning the mounted EO sensor to a chosen object.

For small far distant objects, the fine adjust mechanism provides exceptional alignment precision and braking action. All versions feature a circular level bubble as an aid to deployment and elevation scale as standard.

Available with a wide range of payload interfaces, the Mini is particularly suited to applications requiring the very precise positioning of line of sight particularly at a distance on both static and moving objects.

Applications

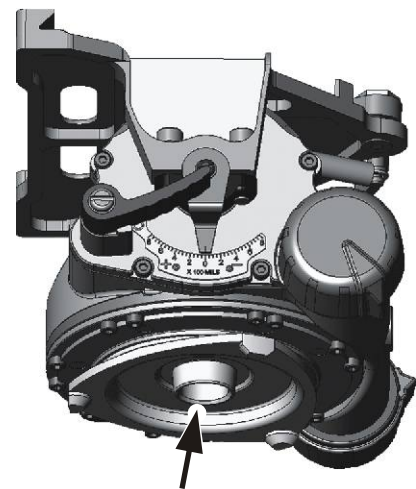
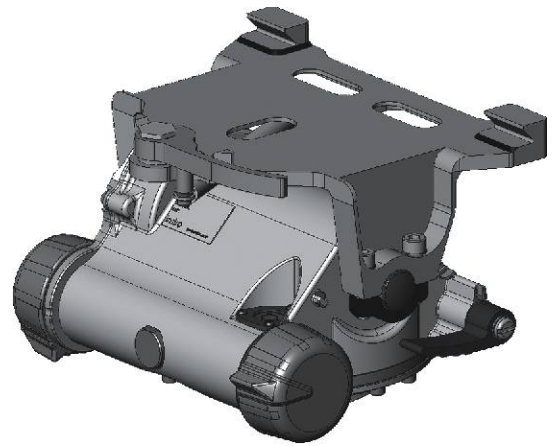
- Thermal / night vision equipment support
- Multifunction binocular support
- Laser rangefinder / designator support
- Telescope and binocular support
- Communications antenna support
- Scientific instrument support



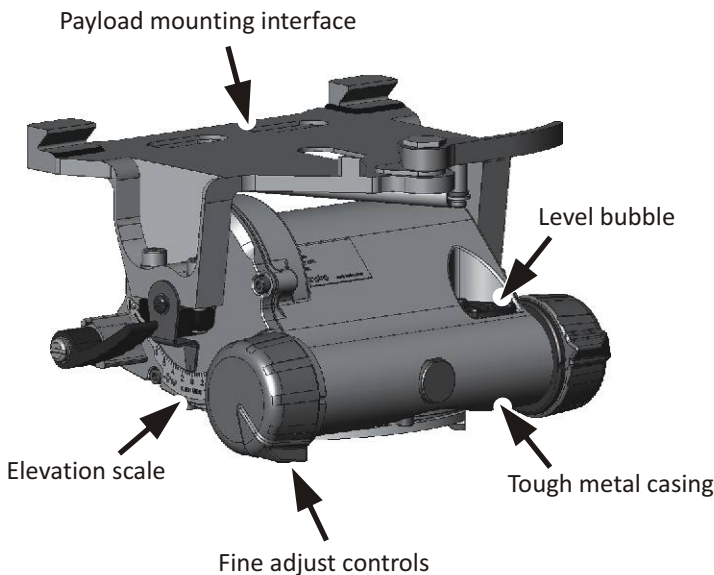
Manual Pan & Tilts

Key features

- Very lightweight and compact design
- Rugged and durable, easy to use and deploy
- Viscous damping
- Fine adjust mechanism
- Independent braking action
- Circular level bubble
- Elevation scale
- Full +/- 45 degree tilt range
- DMC compatible
- Environmentally sealed
- Three standard payload quick release interface options available



Tripod mounting interface



Optional extras

- Generic interface adapters
- Dual payload adapter
- Carry bags
- Matching lightweight tripods
- Custom adapter assemblies



Instro Precision Limited

Tel : + 44 (0) 1843 604455 Fax : + 44 (0) 1843 864143
Email : marketing@instro.com Web : www.instro.com